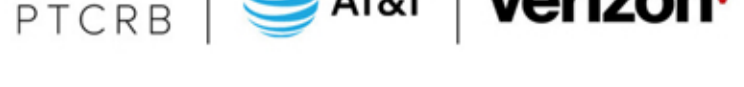


Rugged & Reliable Tablet Ready For Logistics & Fleet Management and Dispatching.



# In-Vehicle Tablet

## N777



The N777 is a rugged and reliable 7 inch Android tablet. Designed to operate in a harsh commercial automotive environment, including a wide range of temperatures, vibrations and shocks. With integrated GPS, cellular communication, built-in cameras, and with support for abundant vehicle and peripheral interfaces, it's suitable for a variety of in-vehicle Fleet Management, especially for ELD truck, Taxi Dispatch, Farm Precision, Intelligent Bus Transportation and Special Vehicles.



### High brightness

800 nits highlight screen and sunlight readable



### ISO 7637-II

ISO 7637-II Transient Voltage Protection standard, withstand up to 174V/300ms car surge impact DC8-36V Wide voltage power supply design



### Battery replaceable

Easily to replace a new battery by maintenance personnel



### Real-time precision tracking

Dual-satellite system running GPS + GLONASS Integrated 4G LTE for round-the-clock connectivity



### ELD made easy

With SAE J1939/OBD-II interfaces, recording data automatically Compliant with multiple HOS rules(FMCSA) including Property/Passenger 60-hour/7-day & 70-hour/8-day



### All-round ruggedness

Comply with IP67 rating 1.5 meters drop resistance Anit-vibration & shock standard by US Military MIL-STD-810G



NEWAY®

# In-Vehicle Tablet

## N777



## Specifications

CPU	Qualcomm Quad-core processor, Cortex -A7, 1.1GHz
Operating System	Android 7.1.2
RAM	2 GB
ROM	16 GB eMMC (support 64GB TF card for expansion)
LCD	7" HD (1280 x 800), sunlight readable 800 nits
Touchscreen	10 point Multi-touch capacitive touchscreen supporting glove and rain mode
Camera (optional)	Front: 2.0 MP Rear: 8.0 MP rear camera with LED light
Bluetooth	BT4.2 LE
WLAN	IEEE 802.11a/b/g/n; 2.4GHz/5GHz
Mobile Broadband	LTE, HSPA+, UMTS, EDGE, GPRS, GSM (Data and Voice)
GNSS	GPS/GLONASS
NFC (optional)	Read/Write Mode: ISO/IEC 14443 A&B up to 848 kbit/s, FeliCa at 212 & 424 kbit/s, MIFARE 1K, 4K, NFC Forum type 1, 2, 3, 4, 5 tags, ISO/IEC 15693 All peer-to-peer modes Card Emulation Mode (from host): NFC Forum T4T (ISO/IEC 14443 A&B) at 106 kbit/s
Sound	Built-in speaker 2W x 1 85dB Internal microphones x1
Interfaces	Type-C, USB 2.0 (For charging and data transfer: support OTG) Docking connector x1(POGO-PIN x24) Headset jack x1
Sensors	Acceleration sensors, ambient light sensor
Power Supply	DC Input Voltage: DC8-36V (ISO 7637-2 compliant) Type-C charge: 5V 2A Battery: 3.7V, 5000mAh Li-ion (Replaceable) Battery operating time: 5h (Typical)
Power Consumption	Normal Mode: 5W
Physical Dimensions (WxHxD)	200Wx130Hx28.5D; 207.4Wx137.4Hx30.1Dmm (with corner protection)
Weight	785g
Reliability	Gravity drop resistance test: 150cm Vibration test: MIL-STD 810G Dust resistance test: IP6x Water resistance test: IPx7 Operating temperature: -10° C ~ 65° C 0° C ~ 55° C (charging) Storage temperature: -20° C ~70° C

NEWAY®

# Docking station

## N777



### Security Lock

Hold the top of tablet tightly and easily

### Screw Holes

• M4 hole sizes RAM mount compatible  
• 1.912" RAM mount compatible (AMPS holes)  
• 75mm VESA mounting support

### Rich Interfaces

• CAN BUS (J1939,OBD-II) , RS232, GPIO, etc.  
• Support customized interfaces  
• Suitable for customer application needs

### ELD Mandate

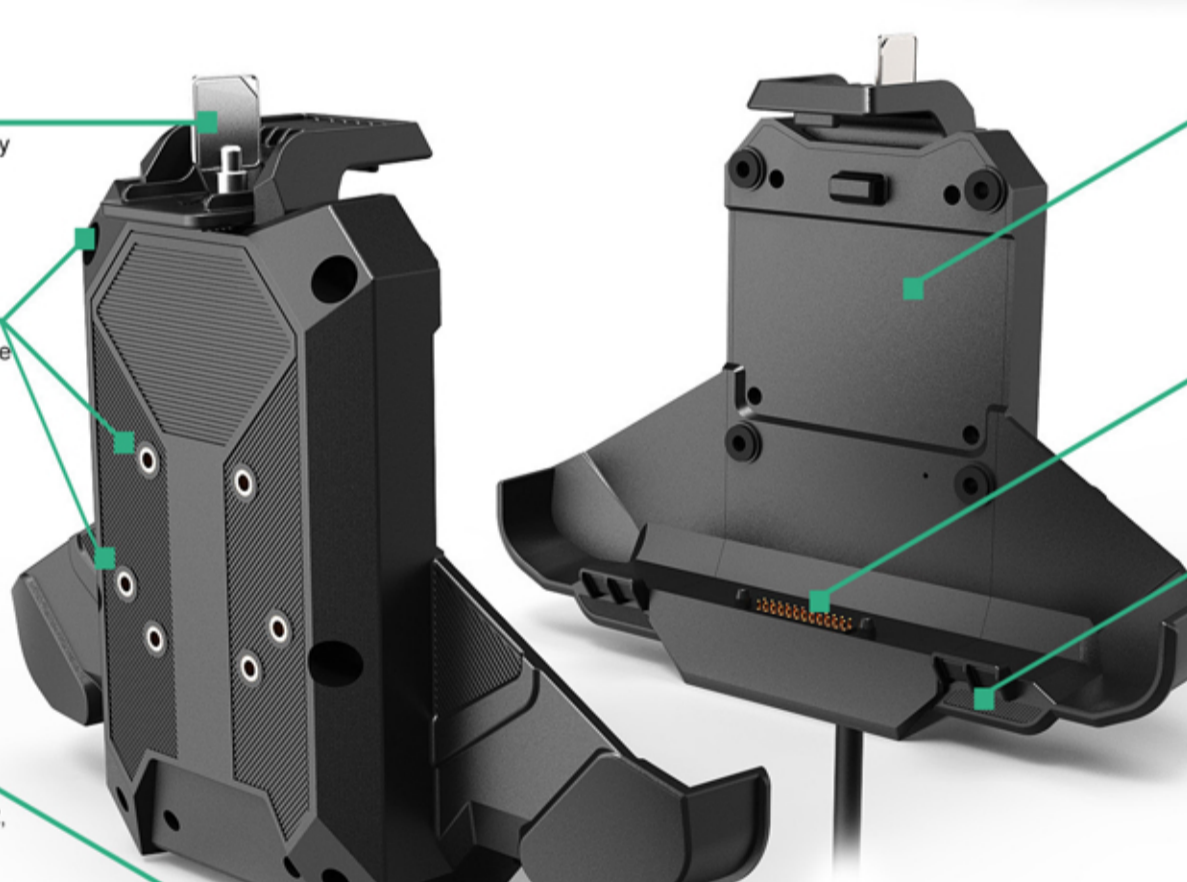
• SAE J1939 / OBD-II protocols built-in 7 days data uninterrupted recording

### Pogo Pins

• Reliable electrical connection in rigorous environments  
• Data real-time synchronous storage  
• Device portable for roadcheck

### Paw Mechanism

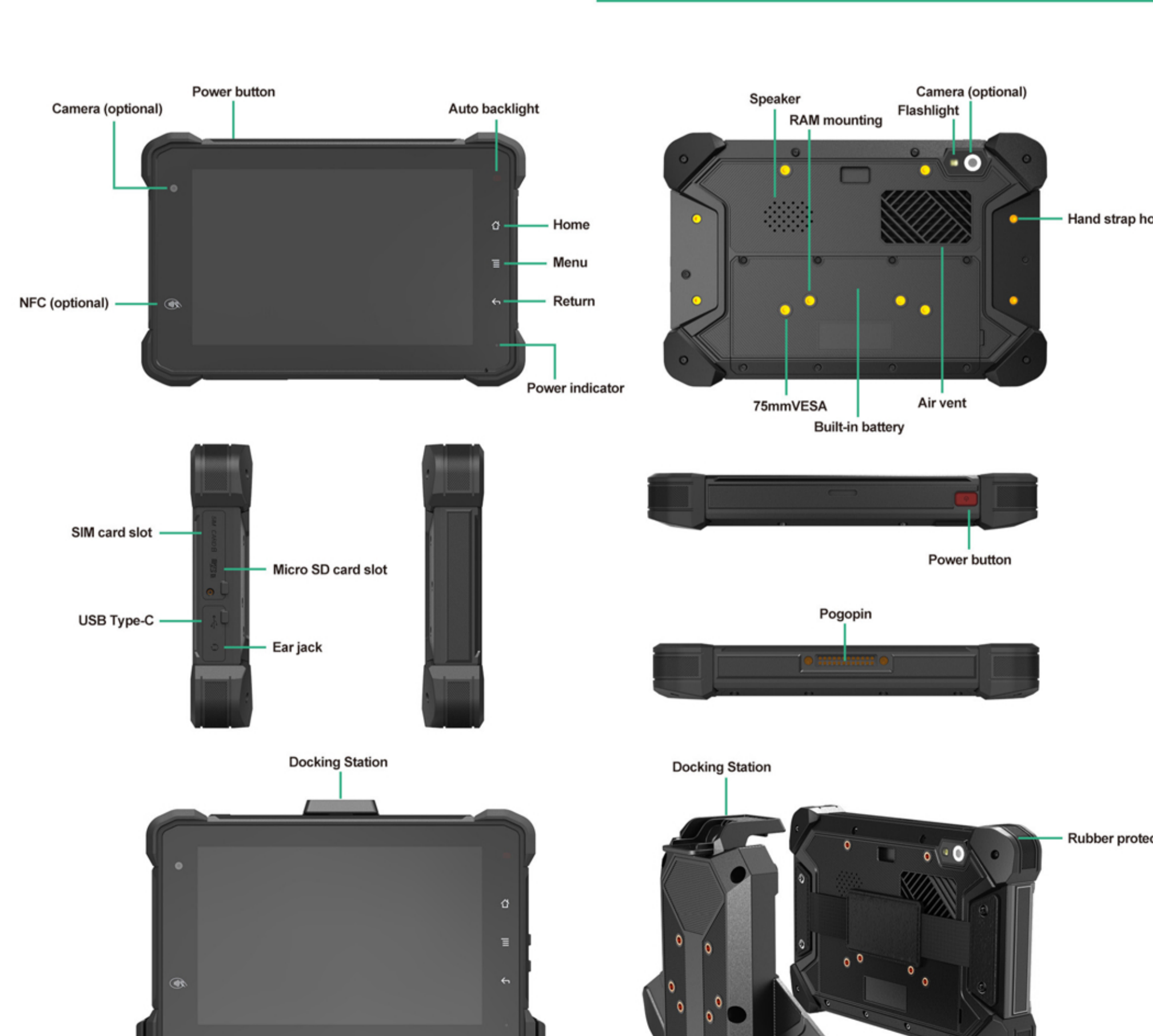
• Prevent skidding and falling off



	Standard version	CAN BUS version	SAE J1939 version	OBD-II version
Picture				
Protocol		Docking Station built in CAN Bus complied with ISO 11898 Standard • Support CAN protocol specification version 2.0 part A, B • CAN baudrate from 10K to 1Mbps.	Docking Station built-in SAE J1939 protocol. • Support SAE J1939, SAE J1708 Heavy Duty • Support ISO 15765 and CAN bus user protocols • Support 250Kbit/s, 500Kbit/s	Docking Station built-in OBD-II protocol. • Support for all legislated OBD-II protocols • ISO 15765-4 (CAN) • ISO 14230-4 (Keyword Protocol 2000) • ISO 9141-2 (Asian, European, Chrysler vehicles) • SAE J1850 VPW (GM vehicles) • SAE J1850 PWM (Ford vehicles) • Support for non-legislated OBD protocols • ISO 15765 / ISO 11898 (raw CAN)
RS232	x2			
GPIO			x1	x1
RS485(optional)	x1			
RS422(optional)	x1			
USB	USB Type-A (can not be used simultaneously with USB Type-C on the device)			
ACC	x1			
Power	12/24V car power system (8-36V DC input, ISO 7637-2 compliant)			
RAM Mount	1.912" RAM mount compatible (AMPS holes)			
VESA Mount	75mm			
Environment	Operating: -10°C ~ 65°C (14°F ~ 149°F), Storage temperature: -20 ~ 70°C (-4°F ~ 158°F), 0 ~ 95% (humidity)			
Certifications	FCC / CE / E-Mark / RED...			
Weight	550g			

NEWAY®

# In-Vehicle Tablet



## Accessories

