



HAILO
Empowering Intelligence

SKY 2 2I640CW

Computing Vision IPC w /
Intel® Atom® Elkhart Lake 6000 Series CPU &
Pre-installed Mini PCIe / M.2 Hailo-8™ AI Accelerator

Features:

- Elkhart Lake ATOM® X6413E / J6412 CPU CPU
- Pre-installed Mini PCIe / M.2 Hailo-8™ AI Accelerator
- On Board 4 / 8GB LPDDR4
- Multiple Independent display: 2 x HDMI or DP
- 2 x Intel 2.5 GbE LAN, 2 x USB 3.0, 4 x USB 2.0, 4 x COM
- 1 x M.2, 1 x Nano SIM, 1 x Mini PCIe, 4DI / 4DO

Specifications :

Motherboard	2I640CW	
CPU	Intel® Elkhart Lake ATOM x6413E Quad Core 2.7 GHz CPU Intel® Elkhart Lake Celeron J6412 Quad Core 2.6 GHz CPU	
Chipset	Intel Elkhart Lake SoC	
AI Accelerator	Pre-installed Mini PCIe / M.2 Hailo-8™ AI Accelerator	
Memory	On Board LPDDR4 4 / 8GB	
Storage	M.2, SSD	
Expansion slots	1 x M.2 B Key Type3042 (USB 2.0 / SATA / USB 3.0-optional to PCIe x2) 1 x Nano SIM 1 x Mini PCIe (USB 2.0 / PCIe)	
I/O ports	Network	2 x Intel 2.5 GbE I225 / I226
	USB	2 x USB 3.0, 4 x USB 2.0
	Serial ports	1 x RS232 / 422 / 485 ; 3 x RS232
	DIO	4DI / 4DO (option)
	Display	2 x HDMI
Optional Modules & Accessory	4G / 5G LTE, M.2 Module *VESA Mounting Kit, *DIN-Rail Mounting Kit	
OS Support	Windows® 10 IOT (64bit) Ubuntu 16.04.3 above, Fedora 26 above, CentOS 7.4 above	

Mechanical

Dimensions 145W x 111.2D x 71.9H mm

Weight 1.36 kg

Mounting VESA Mount*, DIN-Rail Mount*

Power

DC input Wide Range +9~24V

Environment

Operating Temp. -20°C to +60°C (X6413E)

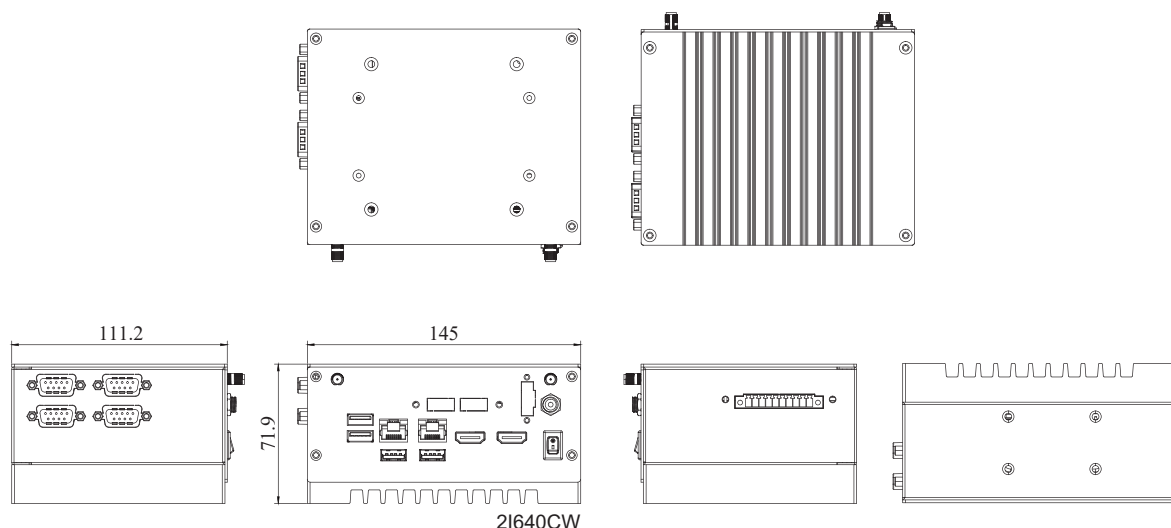
(100 % CPU usage) 0°C to +60°C (J6412)

*With wide range temperature memory & storage

Storage Temp. -20°C to +70°C

Relative Humidity 95% @ 40°C, non-condensing

Dimension



2I640CW

Specification are subject to change without prior notice. ODM / OEM is available.