

7" RUGGED IN-VEHICLE TABLET

Android 12 • Strong Compatibility • Mobile Device Management



It is a 7 inch rugged and feature-rich tablet which is equipped with Quad-core A53 64-bit processor, its main frequency supports up to 2.0G. Powered by Android 12 system, it has powerful performance and rich multimedia functions. The built-in of GNSS, 4G, WIFI, Bluetooth etc. wireless modules makes it easier to be used in various IoV and IoT application.

FEATURES



Android 12

Powered by new Android 12 system, its superior performance brings users a brand new experience.



Real-time Communication

Built-in Wi-Fi/ Bluetooth /GNSS/4G functions making tracking and management of device status easier.



Strong Compatibility

With rich interfaces of RS232, CAN Bus, RS485, GPIOs etc., customizable to meet different needs from users.



Wide Application Field

Rugged IP67 design and 800 nits high brightness screen guarantee the application in varieties of harsh environments, suitable for vehicle, logistics, security and other industries.



Mobile Device Management

Integrated with MDM management software, supporting device management, remote control, mass deployment and upgrade etc.



ISO 7637-II

ISO 7637-II standard transient voltage protection
Withstand up to 174V 300ms car surge impact
DC8-36V wide voltage power supply



Customized Service

Support system customization and user applications development.



Reliable technical support

Experienced R&D team with effective technical support.

SPECIFICATIONS

SYSTEM	CPU	Qualcomm Cortex-A53 64-bit Quad-Core Process 2.0 GHz		
	OS	Android 12		
	GPU	Adreno TM 702		
STORAGE	RAM	LPDDR4 3GB/4GB (optional)		
	ROM	eMMC 32GB/64GB (optional)		
DISPLAY	LCD	7 Inch IPS Panel, 1280 x 800, 800 nits		
	Screen	Multi-point Capacitive Touch Screen		
AUDIO	Microphone	Integrated		
	Speaker	2W		
COMMUNICATION	GNSS	NA version: GPS/BeiDou/GLONASS/Galileo NavIC, L1 + L5; Internal Antenna		
		EM version: GPS/BeiDou/GLONASS/Galileo Internal Antenna		
	2G/3G/4G	US Version	LTE FDD: B2/B4/B5/B7/B12/B13/B14/B17/B25/B26/B66/B71 LTE TDD: B41	
			EU Version	LTE FDD: B1/B2/B3/B4/B5/B7/B8/B20/B28 LTE TDD: B38/B40/B41 WCDMA: B1/B2/B4/B5/B8 GSM/EDGE: 850/900/1800/1900 MHz
		JP Version		LTE-FDD: B1/B3/B5/B8/B11/B18/B19/B21/B26/B28 LTE-TDD: B41 WCDMA: B1/B6/B8/B19
		WIFI		802.11a/b/g/n/ac; 2.4GHz&5GHz
		Bluetooth	2.1 EDR/3.0 HS/4.2 LE/5.0 LE	
	NFC(optional)	Supports Type A,B, FeliCa, ISO15693 etc.		
	SENSOR	Integrated	Acceleration, Gyro sensor, Compass, Mambient , Light Sensor	

INTERFACE	Type -C	(can not be used simultaneously with USB Type-A on the device)
	Micro SD Slot	1 x Micro SD card, Support up to 512G
	SIM Socket	1 x Micro SIM Card slot
CAMERA	Ear Jack	Standard 3.5mm earphone connector
	Docking Connector	POGO PIN x24
	Front	5.0 megapixel camera (optional)
POWER SUPPLY	Rear	Rear: 16.0 megapixel camera (optional)
	Power	DC 8-36V
	Battery	3.7V, 5000mAh battery
ENVIRONMENTAL RELIABILITY	Drop Reststance	1.2M
	IP Rating	IP67
	Vibration Test	MIL-STD-810G
	Operating Temperature	-10°C ~ 65°C (14°F ~ 149°F)
	Storage Temperature	-20°C ~ 70°C (-4°F ~ 158°F)



DOCKING STATION



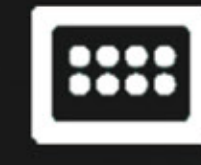
SECURITY LOCK



1.912 RAM MOUNT



VESA 75MM



POGO PINS



STRONG AND STABLE



RICH INTERFACES

Security Lock

Hold the top of tablet tightly and easily

Screw Holes

M4 hole sizes RAM mount compatible
1.912" RAM mount compatible (AMPS holes)
75mm VESA mounting support

Rich Interfaces

CAN BUS (J1939, OBD-II), RS232, GPIO, etc.
Support customized interfaces
Suitable for customer application needs

ELD Mandate

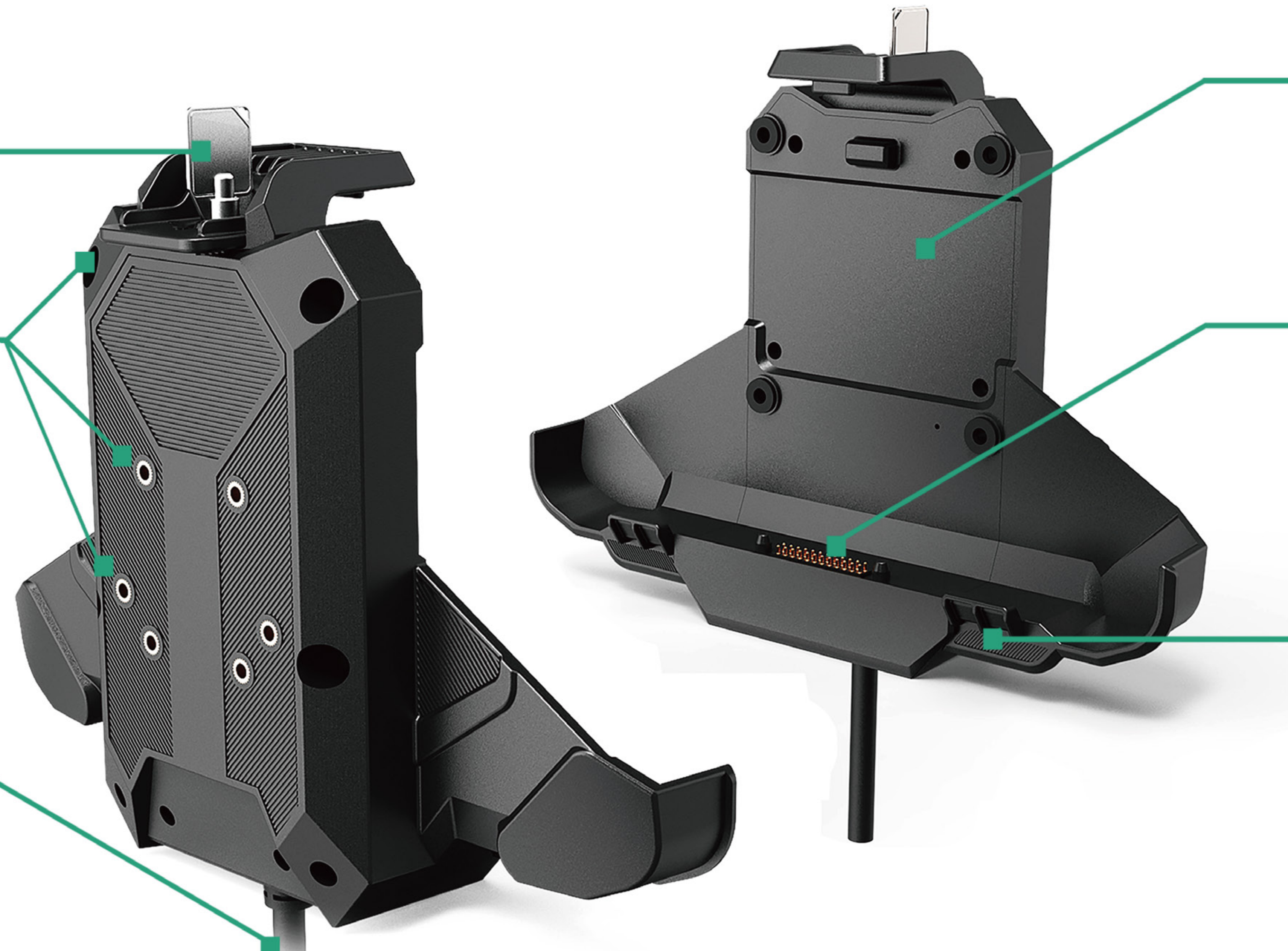
SAE J1939 / OBD-II protocols built-in
7 days data uninterrupted recording

Pogo Pins

Reliable electrical connection in rigorous environments
Data real-time synchronous storage
Device portable for roadcheck

Paw Mechanism

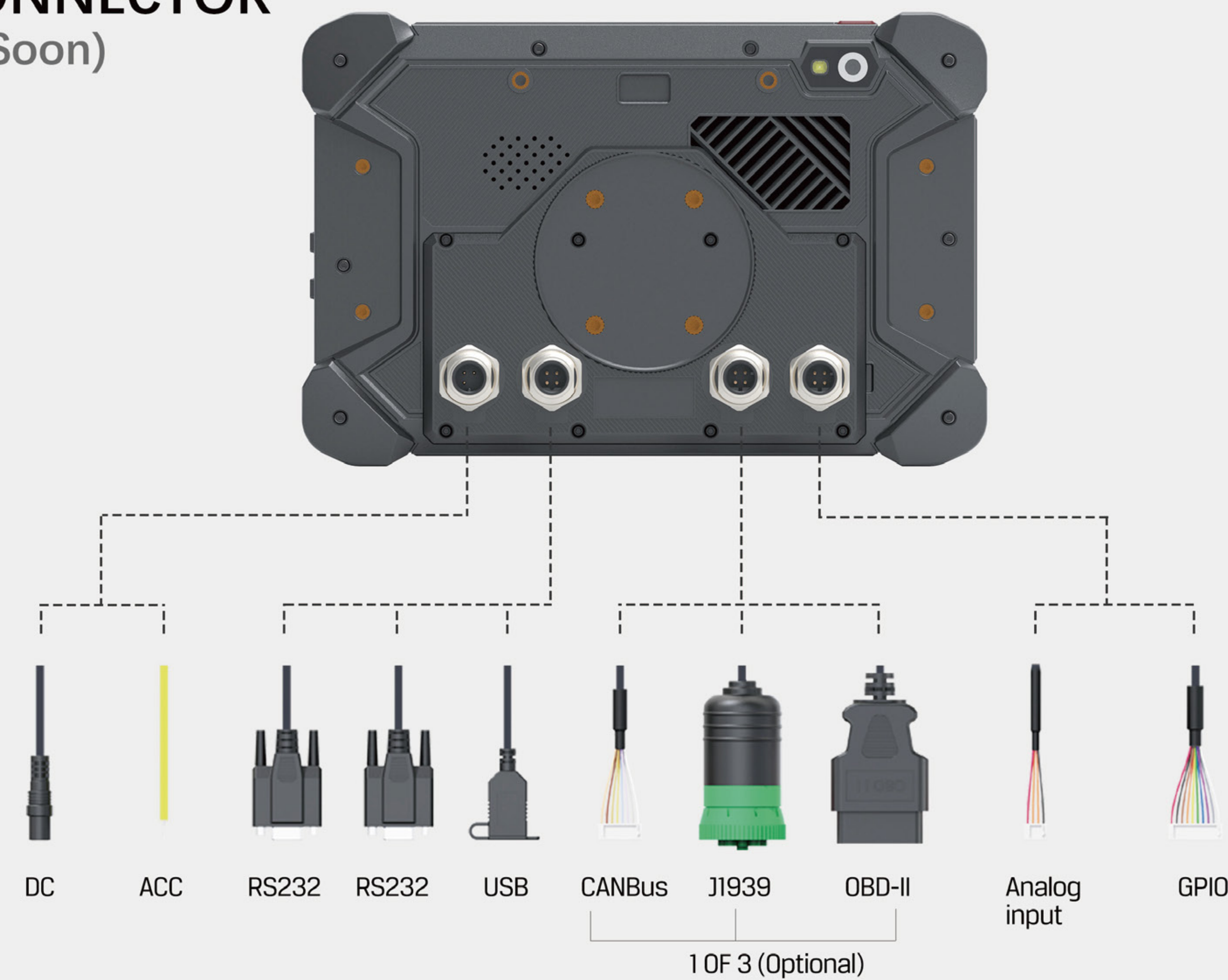
Prevent skidding and falling off



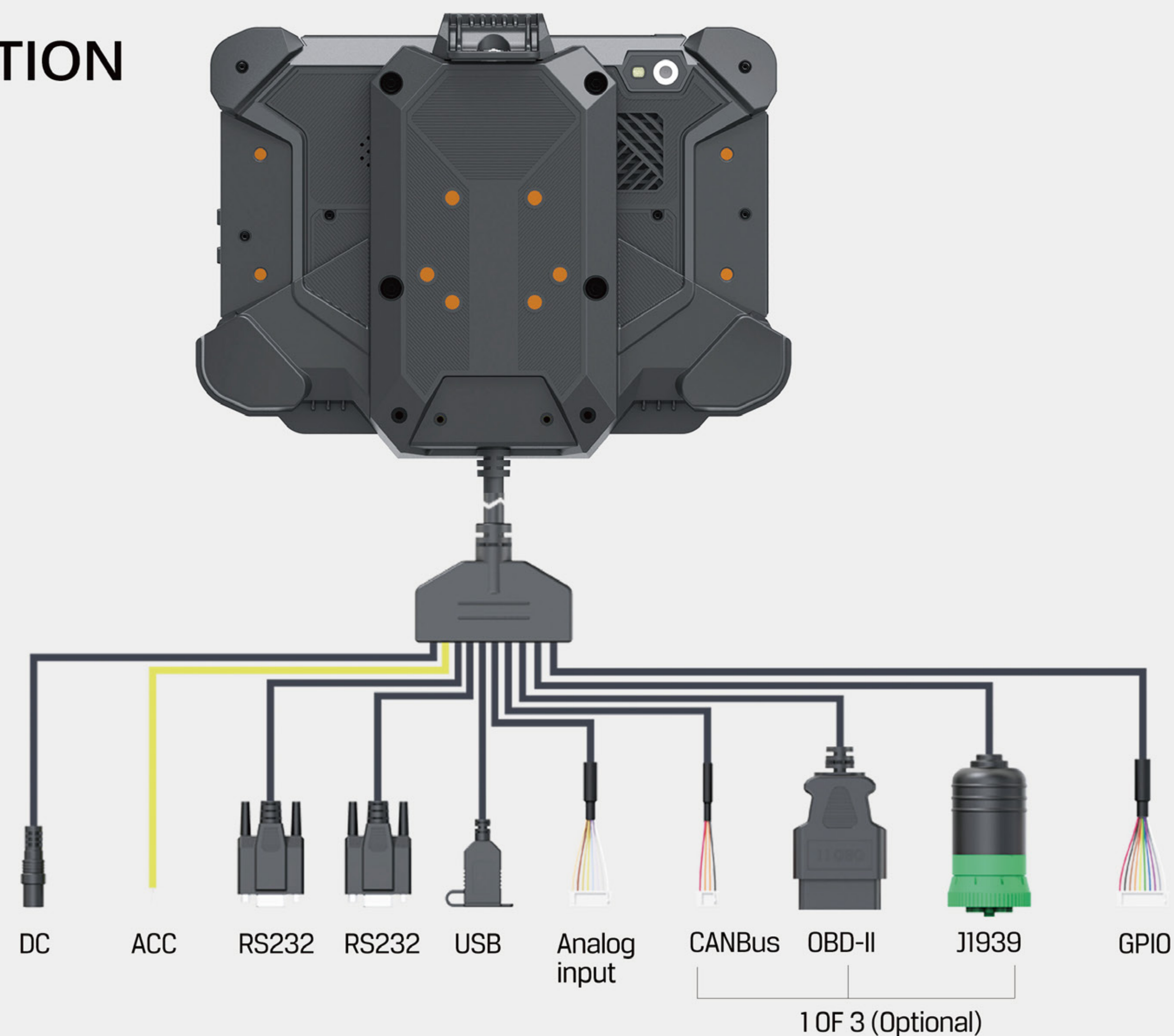
INTERFACE

Different industries have different application needs. There are three different interface expansion forms, which can provide customers with different data communication interfaces including RS232, USB, CANBUS, J1939, OBD-II and so on.

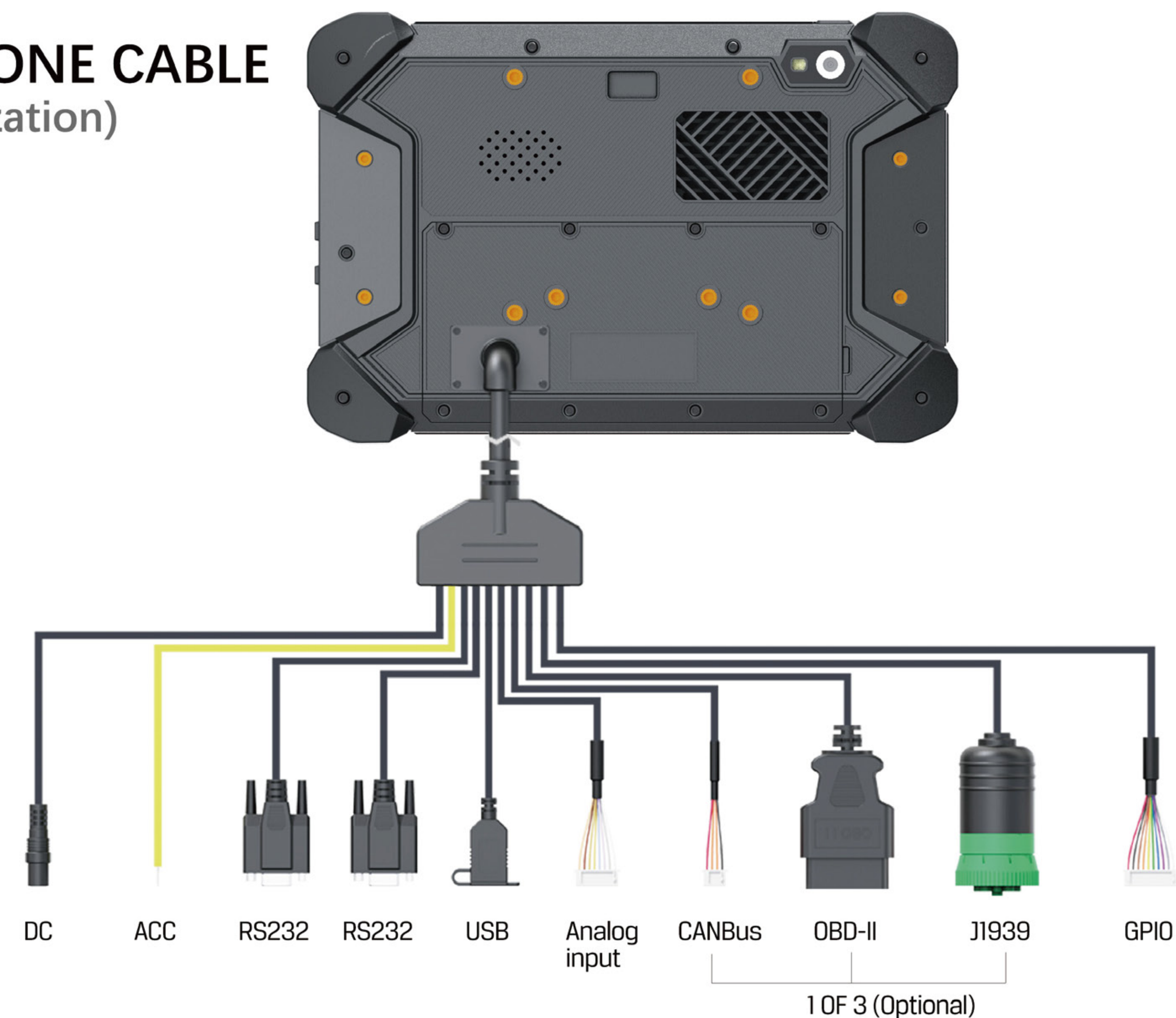
M12 CONNECTOR (Coming Soon)



DOCKING STATION



ALL IN ONE CABLE (Customization)



DOCKING STATION

Standard version

CAN BUS version

SAE J1939 version (COMING SOON)

OBD-II version (COMING SOON)

PICTURE



PROTOCOL

Tablet connected to OBD-II Scanner by Bluetooth.
 ■ The OBD-II Scanner built in related chips supporting SAE J1939 or OBD-II protocols, with built-in memory storage can save engine data for up to 7 days.

Docking Station built in CAN Bus complied with ISO 11898 Standard.
 ■ Support CAN protocol specification version 2.0 part A, B.
 ■ CAN baudrate from 10K to 1Mbps.

Docking Station built-in SAE J1939 protocol.
 Portable for Road Check with Wire data synchronization and transmission. Compliant with multiple HOS Rules (FMCSA) including Property/Passenger 60-hour /7-day & 70-hour/ 8-day.
 ■ Support SAE J1939, SAE J1708 Heavy Duty
 ■ Support ISO 15765 and CAN bus user protocols
 ■ Support 250KBit/s, 500KBit/s

Docking Station built-in OBD-II protocol .
 Portable for Road Check with Wire data synchronization and transmission. Compliant with multiple HOS Rules (FMCSA) including Property/Passenger 60-hour /7-day & 70-hour/ 8-day. OBD-II Port with baud rate from 38 bps to 10 Mbps
 ■ Support for all legislated OBD-II protocols
 ■ ISO 15765-4 (CAN)
 ■ ISO 14230-4 (Keyword Protocol 2000)
 ■ ISO 9141-2 (Asian, European, Chrysler vehicles)
 ■ SAE J1850 VPW (GM vehicles)
 ■ SAE J1850 PWM (Ford vehicles)
 ■ Support for non-legislated OBD protocols
 ■ ISO 15765 / ISO 11898 (raw CAN)

RS232

2x RS232

CANBUS

1x CANBUS 2.0b

1x J1939

1x OBD-II

ANALOG INPUT

1x analog input (MAX 30V)

USB TYPE-A

1x USB2.0 (can not be used simultaneously with USB Type-C on the device)

GPIO

GPIO× 3 Input, GPIO× 3 Output

ACC

x 1 (0~30V)

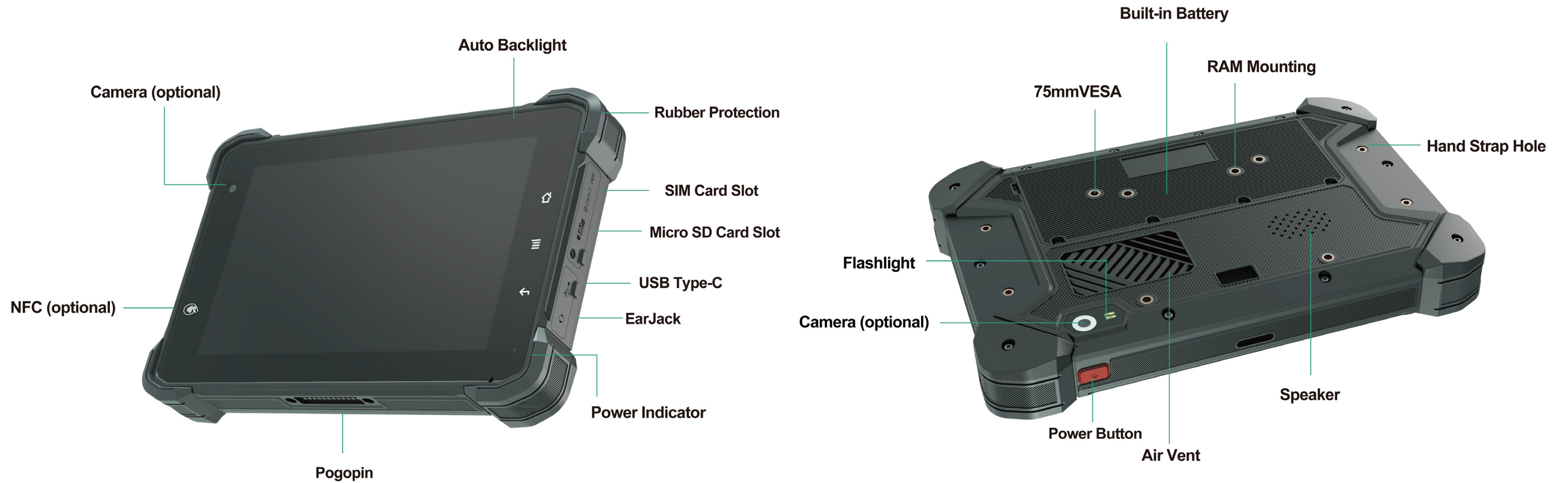
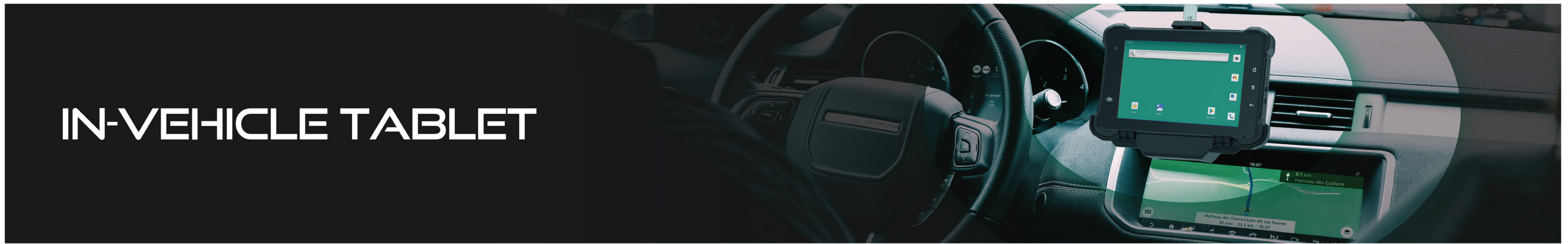
POWER

12/24V car power system (8-36V DC input, ISO 7637-2 compliant)

ENVIRONMENT

Operating: -10°C ~ 65°C (14°F ~ 149°F), Storage temperature: -20 ~ 70°C (-4°F ~ 158°F), 0 ~ 95% (humidity)

IN-VEHICLE TABLET





Accessories



- Allen wrench
- Screws for RAM
- SIM card plug



USB to Type-C cable



OBD-II female to open wire



J1939 female to open wire



Power adaptor



RAM-B-101U-225B

RAM 1" Double Ball Mount
with Backing Plate

Optional

(株)連基 〒123-0852 東京都足立区関原2丁目42-8
お問い合わせ: info@cnct.world Phone: 03-5842-1785