

# Pandora Nano 8GB Super

## Compact Edge AI

YUAN  
Visualize Intelligent Planet

### Features

- Powered by NVIDIA™ Jetson Orin™ Nano 8GB Super up to 67 TOPS
- Compact Size: 145mm×123mm×66mm
- 4×M.2, 8 Lanes MIPI CSI-2, and I2C / UART / GPIO / CAN Bus
- 2×USB3.2 Gen2, 2×USB2.0, 1×Nano SIM Card Slot
- 1×HDMI2.0



### Specifications

System	
SOM Module	NVIDIA Jetson Orin™ Nano 8GB Super
CPU	6-Core Arm® Cortex®-A78AE v8.2 64-Bit CPU 1.5MB L2 + 4MB L3
GPU	1024-Core NVIDIA Ampere Architecture GPU with 32 Tensor Cores
AI Performance	67 TOPS
System Memory	8GB 128-bit LPDDR5 102GB/s
Interface	
Storage	Supports External NVMe
Display Interface	1×HDMI2.0
Ethernet	2×RJ45 for 10/100/1000Mbps Ethernet DHCP Client
Expansion Slot	1×M.2 2280 M Key PCIe Gen3×2 Slot ( with Pre-Installed 128GB SSD ) 1×M.2 2280/3080 M Key PCIe Gen3×4 Slot, Support SSD or Video Capture Cards 1×M.2 2230 E Key PCIe Gen3×1+USB2.0 Slot, Support WiFi Module. 1×M.2 3042/3052 B Key USB3.2 Gen1 Slot, Support 5G/4G Wireless Module
USB	2×USB3.2 Gen2 ( Type-A ) 1×USB3.2 Gen2 ( Type-C ) (OTG) 2×USB2.0 ( Type-A )
MIPI	8-Lane MIPI CSI-2 ( D-PHY 2.1, Support MIPI Camera, Capture Card )
Audio	1×Line In ( 3.5mm Phone Jack ) 1×Line Out ( 3.5mm Phone Jack )
Peripheral Communication	40 Pin Header 1×I2S 2×I2C 2×SPI 1×UART 3×GPIO
	14 Pin Header 1×CAN Bus 1×UART with CTS/RTS 1×UART for Debug
Misc. Features	1×Nano SIM Card Slot Firmware Upgradable TPM Module ( Optional )

## Video Encode / Decode

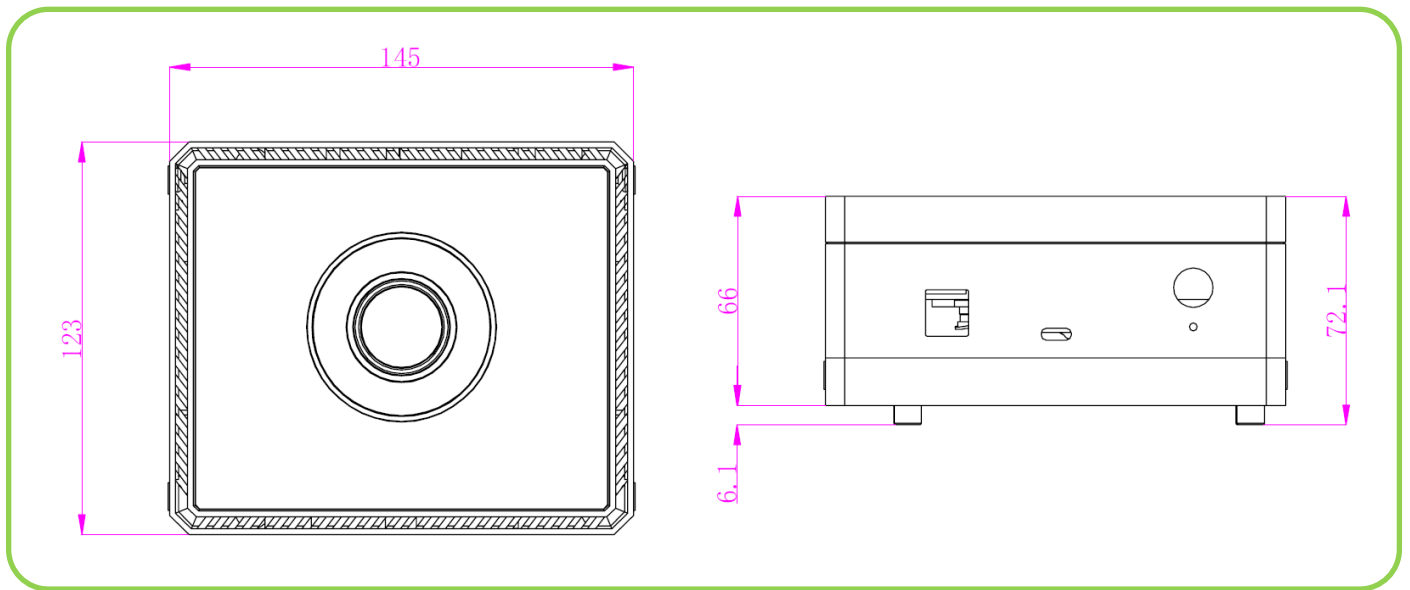
Video Feature	
Video Encode	NVIDIA Jetson Orin™ Nano Super: 1080p30 supported by 1-2 CPU cores
Video Decode	NVIDIA Jetson Orin™ Nano Super: AV1 ( Main Profile ) 1×4K60   2×4K30   5×1080p60   10×1080p30  H.265 ( Main, Main10 ) 1×4K60   2×4K30   5×1080p60   11×1080p30  H.264 ( Baseline, Main, High ) 1×4K30   3×1080p60   7×1080p30  VP9 ( Profile 0, Profile 2 ) 1×4K60   2×4K30   5×1080p60   11×1080p30

## Environment

Development Environment	
JetPack	6.2 or Higher
Environment	
Power Supply	DC input : 9~36V
Power Consumption	Max: 34.2W
Operating Temperature	Standard Version: 0~60° C with Airflow
Storage Temperature	-20~80° C

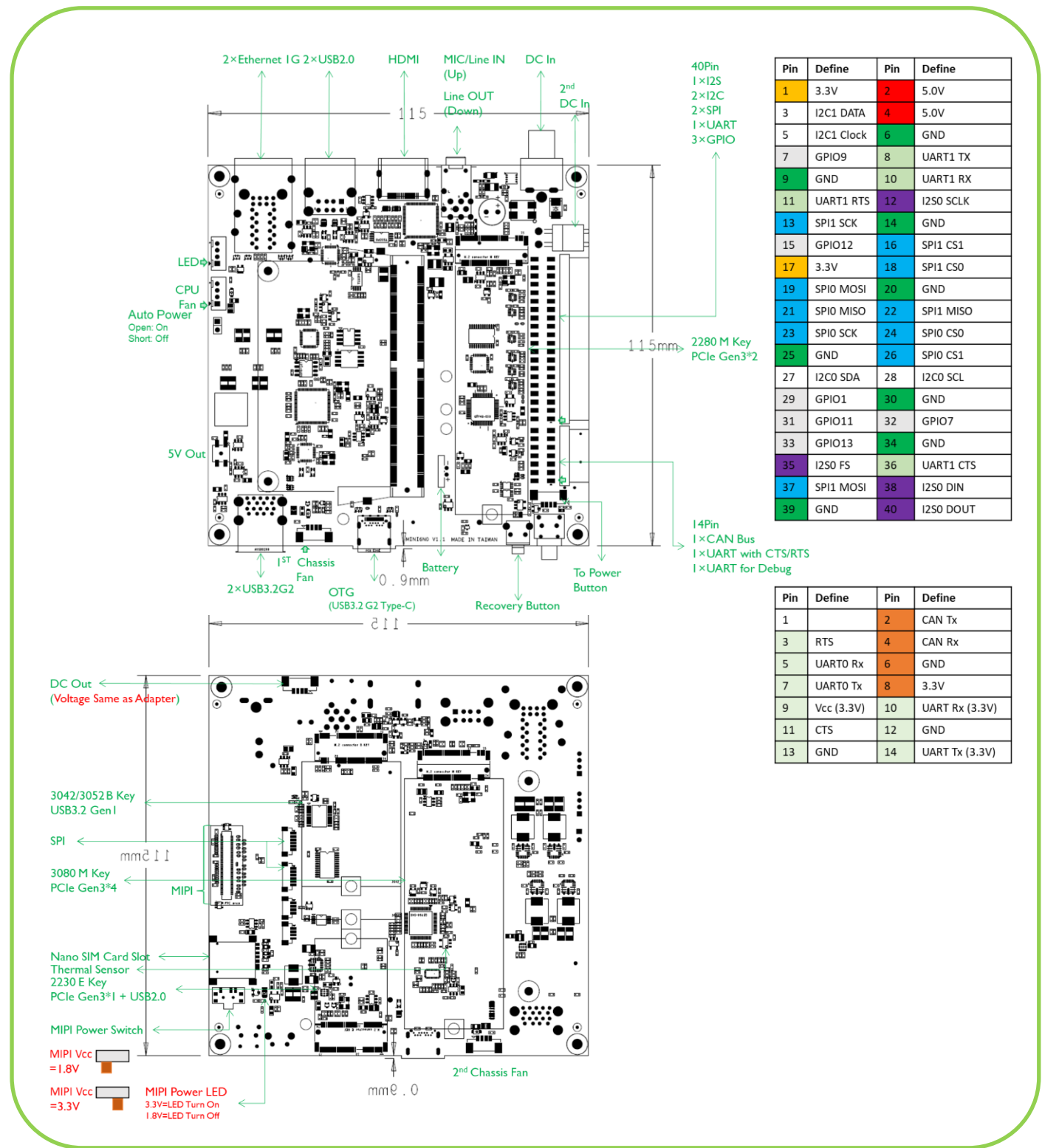
## Mechanical

- Dimension of case: 145mm×123mm×66mm
- Dimension of main Board: 115mm×115mm
- Weight: 470g



# I/O Layout

## Carrier Board



\* All registered trademarks are the property of their owners. The photo is for reference only.

\* Technology License Patent Royalty. Supplier ( YUAN Technology Ltd. ) as an OEM vendor is not responsible for any royalties applied to the Models and collected by any patent or trade mark holders or his exclusive, non-exclusive.



Licensees or representatives such as MPEG4, Dolby, Thomson, Sivel, H.264, MPEG4 and any other natural or legal person. All concerning royalties of patents and trade marks will be paid or negotiated with the above mentioned owner by you. In case of any patent or trademark infringement you are responsible for all necessary processes and costs. You accept and acknowledge that all prices of Models offered by supplier are exclusive of any royalties, charges or license fees for any patents in any countries or areas.

株式会社 千110-0003 東京都台東区根岸2丁目20-10  
お問い合わせ: info@cnet.world Phone: 03-5842-1785