

Fit is enough, less is more- Intel Amston Lake platform in tiny system.

MIWA-731

- Amston Lake x7211RE SKU CPU
- High speed communication interfaces
- Tiny system size in 7.5cm x 7.5cm x 3cm
- Miniature computing design to fit most of industry markets



Specifications

General

CPU

Intel Atom® x7211RE Processor

Memory

LPDDR5 8GB

Mass Storage

eMMC 64G

Power Input

Standard: 9~36V

Operation System

Windows® 10 IoT Enterprise

Linux Yocto

Basic I/O Interface

Power Connector

4-Pin Terminal Block

Giga LAN

2x 2.5 GbE LAN (Intel® i226-IT)

USB

1x USB3.0 type-C, 1x USB3.0 type A

Display

1x DP

Expansion

1x M.2 M Key 2242 PCIe4

LED

4 system LEDs

EMC Standard

CE/FCC Class A

Environmental

Storage Temperature

-40°C ~ 85°C

Operating Temperature

20°C ~ 40°C with airflow

-20°C ~ 40°C with airflow, DIN Rail mount (by request)

Relative Humidity

5% ~ 95% (non-condensing)

Vibration

DIN Rail - 2G rms

Shock

Din-Rail - 50G half sign

Mechanical

Degree of Protection

IP 30

Dimension

75mm (L) x 75mm (W) x 30 mm (H)

Net Weight

0.205KG

Optional Accessories

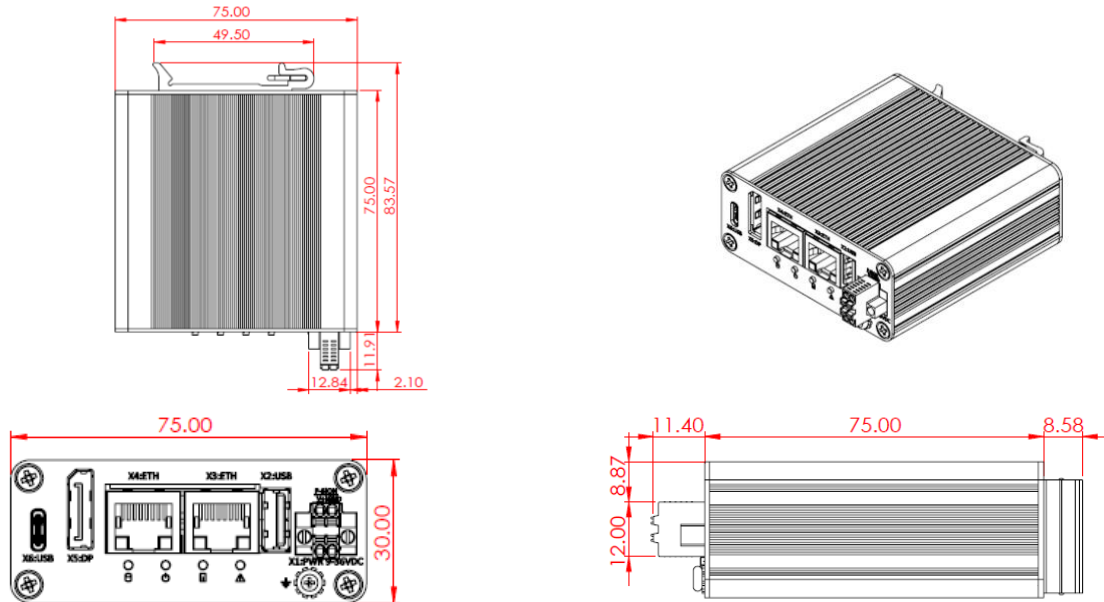
Power Adaptor

4-pin Connector, 40W/12V or 45W/19V

Mounting Kit

Din Rail mount, Wall/Desk/VESA mount by project

Dimension



Advanced MIT Solutions Provider

Headquarters

No.55, Ln. 6, Chenglin Rd., Tucheng Dist., New Taipei City 236, Taiwan
 TEL: +886-2-7705-8788
 FAX: +886-2-7731-5888
 E-mail: info@mitwell.com.tw
<https://www.mitwell.com.tw>



WeLink Solutions, Inc.

4F., No. 55, Ln. 6, Chenglin Rd., Tucheng Dist., New Taipei City 23677, Taiwan
 TEL: +886-2-7705-8788
 FAX: +886-2-7731-5888
 E-mail: info@we-link.com.tw
<https://www.we-link.com.tw>

Americas

Waris Technologies Inc.
 4011 Clipper Court, Fremont, CA 94538, USA
 TEL: +1-510-246-8987
 E-mail: info@mitwell.com.tw
<https://www.mitwell.com.tw>

American Portwell Technology
 44200 Christy St., Fremont, CA 94538, USA
 TEL: +1-510-403-3399
 FAX: +1-510-403-3184
 E-mail: info@portwell.com
<https://www.portwell.com>

Korea

Portwell Korea, Inc.
 O-BIZ Tower 1901, No. 126, Beolmal-ro, Dongan-gu, Anyang-si, Gyeonggi-do, Korea, 431-060
 TEL: +82-31-450-3043
 FAX: +82-31-450-3044
 E-mail: info@portwell.co.kr
<https://www.portwell.co.kr>

Japan

Sano BS Co., Ltd. (Tokyo)
 〒160-0023 702, 3-4-11, Nishishinjuku, Shinjuku Ku, Tokyo, Japan
 TEL: +81-3-6258-5361
 E-mail: info2@sanobs.com
<https://sanobs.com>

Portwell Japan, Inc. (Tokyo)
 〒112-0011 4-27-10, Sengoku, Bunkyo-ku, Tokyo, Japan
 TEL: +81-3-6902-9225
 FAX: +81-3-6902-9226
 E-mail: info@portwell.co.jp
<https://www.portwell.co.jp>

Portwell Japan, Inc. (Osaka)
 〒532-0004 Ste.501 Nippo Shin-osaka Dai-2 Bldg, 1-8-33 Nishi-Miyahara, Yodogawa-ku, Osaka, Japan
 TEL: +81-6-4807-7721
 FAX: +81-6-4807-7720
 E-mail: info@portwell.co.jp
<https://www.portwell.co.jp>

India

Portwell India Technology Private Limited.
 3rd Floor, Jeet Dynasty, Old Madras Rd, next to Gopalan Signature Mall, Nagavara, Bengaluru, Karnataka 560093
 TEL: +91-80-4168-4255
 E-mail: enquiry@portwell.in
<https://www.portwell.in>

China

Shanghai Portwell
 Room 1303-1, Building 33, No.258 Xinzhuang Rd, Songjiang District, Shanghai, China
 TEL: +86-021-5771-2505
 FAX: +86-21-5772-2965
 E-mail: info@portwell.com.cn
<https://www.portwell.com.cn>

Europe

MITwell Europe B.V.
 Saturnusstraat 58, 2132HB Hoofddorp, The Netherlands
 TEL: +31-625-084458
 E-mail: info@mitwell.com.tw
<https://www.mitwell.com.tw>

European Portwell Technology
 Schillingweg 3, 2153 PL Nieuw Vennep, The Netherlands
 TEL: +31-252-620790
 FAX: +31-252-621325
 E-mail: info@portwell.eu
<https://www.portwell.eu>

All products and company name listed are trademarks or trade names of their respective companies.
 MIWA-721_Datasheet_V1.0. Updated by WeLink Solutions, Inc. All Rights Reserved.
 All specifications are subject to change without further notice

株連基 〒110-0003 東京都台東区根岸2丁目20-10
 お問い合わせ: info@cnct.world Phone: 03-5842-1785