

Ultra-small form factor industrial PC with Intel® Amston Lake family processor

KUBER-3110

- Intel® ATOM processors ("Amston Lake"), up to 4 cores (optional)
- Up to 16GB onboard LPDDR5 memory
- Supports 2 GbE, 2 USB 3.0 and 1 DP
- M.2 Key E for Wireless communication
- 64GB onboard eMMC 5.0 storage
- Heavy Industrial EMC
- Extended temperature options for extreme environments



Specifications

General

CPU

Intel® ATOM x7211RE, 2 cores, 1.0GHz/3.2 GHz, 6W TDP
Intel® ATOM x7433RE, 4 cores, 1.5GHz/3.4 GHz, 9W TDP

Memory

On Board LPDDR5 up to 16GB, 4800 MT/s
Dual memory channel, 64bit, non-ECC

Mass Storage

eMMC 5.0 onboard flash 32GB up to 256 GB

Power Input

Standard: 12-30 VDC (+/- 20%)

Operation System

Windows® 10 IoT Enterprise LTSB 2016 (64bit)
Linux Yocto Warrior v2.7.1 (kernel 4.14)

Expansion

1x M.2 Key E 2230 for wireless card

Basic I/O Interface

Power Connector

1x 2-Pin Terminal Block

Giga LAN

2x 10/100/1000 GbE (Intel® i226)

USB

2x USB 3.0

Display

1x DP v1.4 4096 x 2160 @ 60Hz

EMC Standard

CE, FCC (EN55024, EN55032)

CE (EN 61000-6-4: 2007 + A1: 2011, Class A,

EN 61000-6-2:2005) (IEC 61131-2: 2017 EMC)

FCC (CFR Title 47 Part15 Subpart B: 2018 Class A)

Environmental

Storage Temperature

-40 °C ~ 85 °C

Operating Temperature

0°C ~ 50°C @ 5~85% RH with no airflow

Relative Humidity

5 %~ 95 % (non-condensing)

Vibration

1G, with DIN-Rail (EN 60068-2-6)

810G, with Wall mount (MIL-STD-810G 514.7C-V Category-4)

Shock

15g with 11 ms impulse length, 18 shocks DIN-Rail (EN 60068-2-27)

40g with 11 ms impulse length, 18 shocks Wall mount (EN 60068-2-27)

Mechanical

Degree of Protection

IP 30

Dimension

99mm (L) x 46mm (W) x 92 mm (D)

Net Weight

0.55 KG

Optional Accessories

Power Adaptor

2-pin Connector, 60W, 24V/2.5A

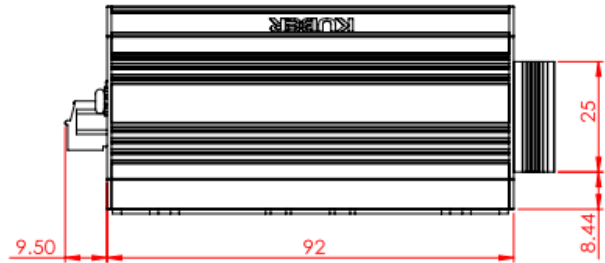
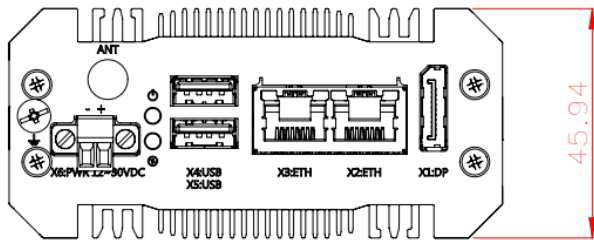
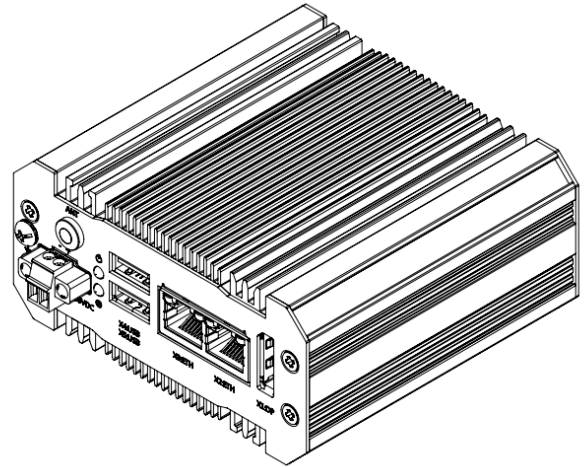
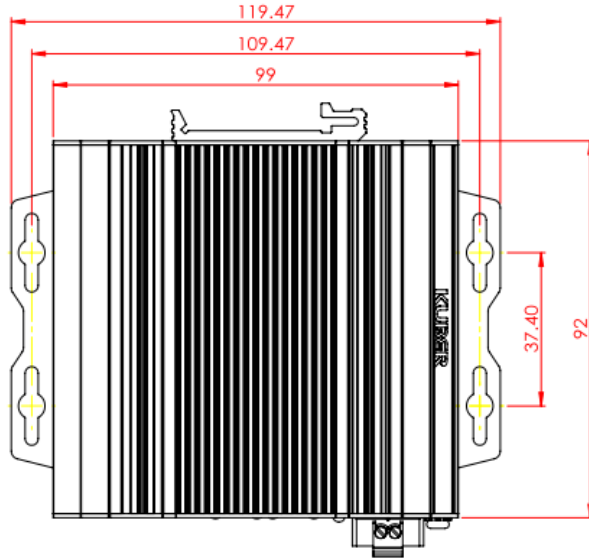
DIN-Rail / Wall Mount

Video Adaptor

DP to VGA/ DP to DVI



Dimension



Headquarters

4F., No. 55, Ln 6, Chenglin Rd., Tucheng Dist., New Taipei City 23677, Taiwan
TEL: +886 2-7705-8788 FAX: +886 2 7731-5888
E-mail: info@we-link.com.tw https://www.we-link.com.tw



Headquarters

No.55, Ln. 6, Chenglin Rd., Tucheng Dist., New Taipei City 236, Taiwan
TEL: +886 2 7705-8788 FAX: +886 2 7731-5888
E-mail: info@mitwell.com.tw https://www.mitwell.com.tw



株式会社 110-0003 東京都台東区根岸2丁目20-10
お問い合わせ: info@cnct.world Phone: 03-5842-1785

All products and company name listed are trademarks or trade names of their respective companies.
KUBER-3110_V1.0, WeLink Solutions, Inc. All Rights Reserved.
All specifications are subject to change without further notice