

NP-6133 Ultra

- Machine Vision, Automated Production Controller Platform
- Machine Motion Control, Robot Control Platform

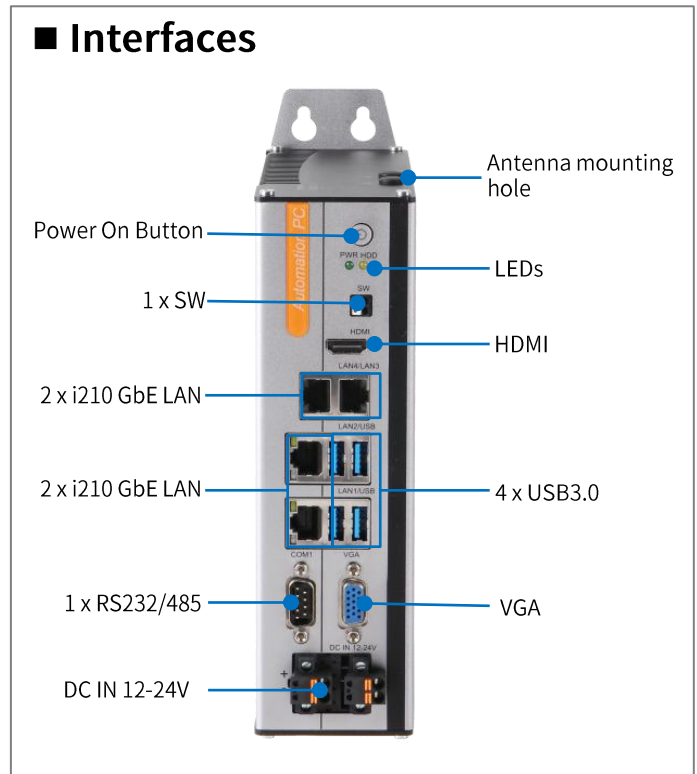
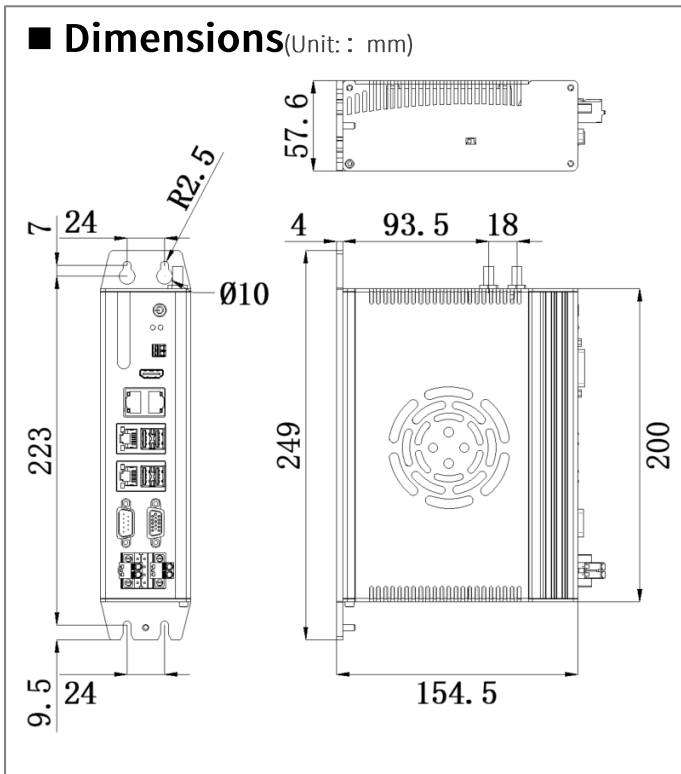
■ Features

- Support Intel® Core™ Ultra 2 Series CPU
- 4 x Intel GbE LAN controller
- 4 x USB3.0, 1 x USB2.0 Type A on board for dongle
- 1 x RS232/485
- Support both VGA and HDMI display port
- 2 x miniPCIe expansion slot, Support 3G/4G/WIFI modules
- DC12~24V Power supply with overcurrent, overvoltage and polarity inverse protection



■ Specifications

Model Name		NP-6133-225H	NP-6133-255H
System	CPU	Intel® Core™ Ultra 225H CPU, 14 cores/14 threads, 1.3~4.9GHz, 18MB cache	Intel® Core™ Ultra 255H CPU, 16 cores/16 threads, 1.5~5.1GHz, 24MB cache
	TDP	28W	
	BIOS	AMI UEFI BIOS	
	GPU	Intel® Arc™ 130T GPU	Intel® Arc™ 140T GPU
	NPU	Intel® AI Boost	
	Peak TOPS	83 (GPU63+NPU13)	96 (GPU74+NPU13)
	Memory	2 x SO-DIMM DDR5-5600MT/s (up to 96GB)	
	Storage	1 x mSATA, SATA3.0	
	USB	4 x USB3.0 1 x USB2.0, Type-A on the board for USB dongle	
	COM	1 x RS232/RS485(COM1), Maximum baud rate:115.2kbit	
	Ethernet	4 x Intel i210-ATGbE LAN controller	
	Remote	1 x SW	
	VGA	Support up to 1920 x 1080 @60Hz	
	HDMI	Support up to 3840 x 2160 @60Hz	
	Expansion	2 x Full-size PCIe Mini slot with SIM card holder, expansion WIFI/3G/4G/CAN modules	
	Watch Dog	1~255 levels programmable	
TPM	dTPM:SLB9672XU2.0		
OS	Microsoft Windows	Windows 10, Windows11	
	Linux	Ubuntu, Debian	
Power	Voltage Input	DC12-24V ±10%, overcurrent, overvoltage and polarity inverse protection	
	Power Consumption	Max. 90W	
Chassis	Structure	Aluminum-magnesium alloy BOX with fan embedded to assist cooling, Wall-mounted or DIN-Rail fixing style.	
	Dimensions	(L)200mm x (W)150.5mm x (H)57.6mm	
	Net Weight	1.9Kg	
Environment	Work Temperature	-20°C ~ 60°C (-4°F~140°F) with air flow (SSD)	
	Storage Temperature	-40°C ~ 80°C (-40°F ~ 176°F) with air flow (SSD)	
	Relative Humidity	95%@40°C (Non-condensing)	
	Operating Vibration	5~500Hz, 3Grms@with SSD and Wall-mounted, Follow IEC60068-2-64	
	Operating Shock	30G peak acceleration(11ms duration) with SSD and Wall-mounted, Follow IEC60068-2-27	
	EMC	CE EMC, Follow IEC/EN 61000-6-2, IEC/EN 61000-6-4, FCC Class A	
	Safety	Follow IEC/EN 62368-1	



■ Ordering Information

Part No.	Product	Description
B73.61330.00.0002	NP-6133-225H	CPU: Ultra 225H, RAM: NULL, mSATA: NULL, 1 x RS232/485, 4 x LAN, 4 x USB3.0, HDMI/VGA display, DC12-24V DC IN
B73.61330.00.0003	NP-6133-255H	CPU: Ultra 255H, RAM: NULL, mSATA: NULL, 1 x RS232/485, 4 x LAN, 4 x USB3.0, HDMI/VGA display, DC12-24V DC IN

■ Options

Parts	NP-6135 Ultra
DDR5 Memory	DDR5-5600MHz: 4GB, 8GB, 16GB, 32GB, 48GB
mSATA SSD	64GB, 128GB, 256GB, 512GB, 1TB
Wifi set	mini PCIE: Intel 7260
3G/4G Module	mini PCIE: EC20, EG25, EC25
Mount Option	DIN-Rail

株式会社 千110-0003 東京都台東区根岸2丁目20-10
 お問い合わせ: info@cnct.world Phone: 03-5842-1785

Note: If some optional parts are offered with the system, additional system certificates may be required in certain regions/countries.
 Please contact NODKA for certificate compliance.